

**MATERIAL & FINISH**

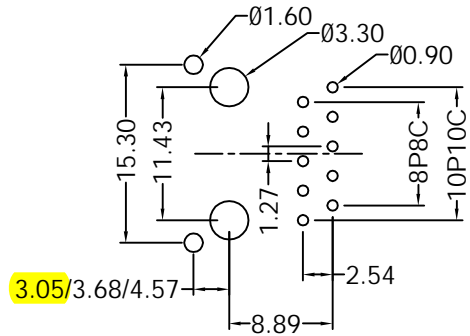
Housing: PBT. UL94V-0, black or blue  
 Insert: PBT. UL94V-0, black  
 Conductor: 0.35 x 0.42 mm phosphor bronze,  
 Gold plated over nickel on contact area,  
 Tin plated over nickel on solder area.  
 Shield: 0.25 mm bronze with nickel plated.

**ORDERING INFORMATION**

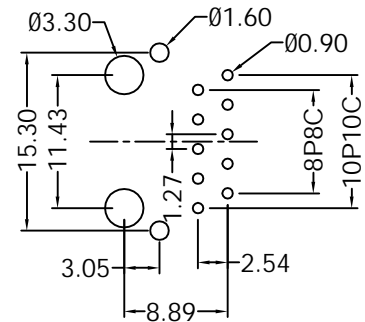
S296 [a] [b] [c] [d] [e] + [f]

- a: (N)
- b: number of Position ( 8P or 10P)
- c: number of Conductor ( 8C or 10C)
- d: gold Plating: ( 06T,15T,30T or 50T) u"
- e: housing Color, black ( BK )
- f: tab position

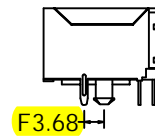
Part Number: S296  
Shielded



PCB LAYOUT / TOP VIEW



R3.05  
PCB LAYOUT / TOP VIEW



UNIT: m / m  
TOL.: +/- 0.15